

Cloud Preview and IP Device Integration

Cornel Durrer

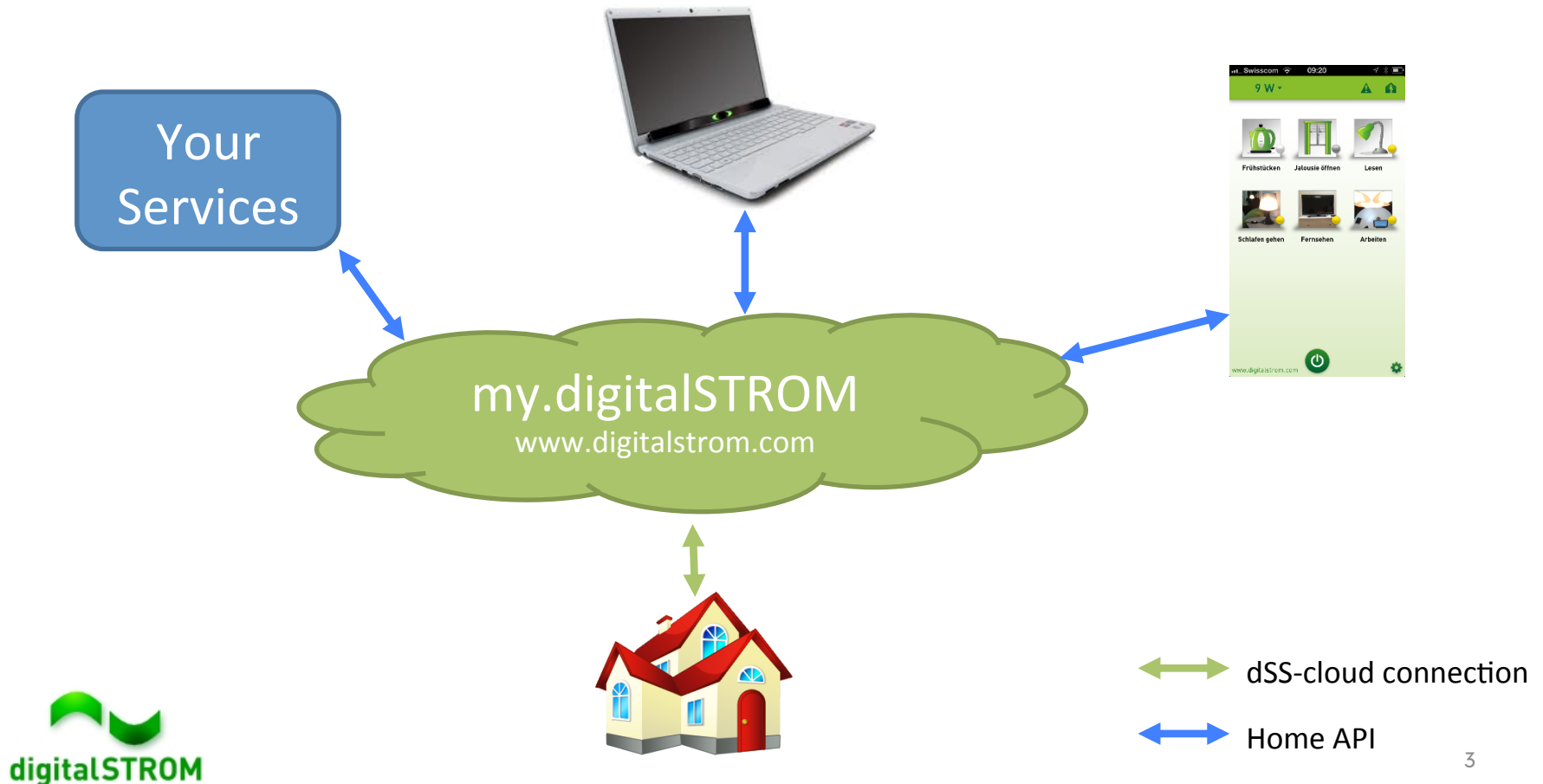
Content

- digitalSTROM Cloud
 - What is our cloud and why should I use it?
- IP Device Integration
 - Why do we integrate IP devices?



Topology 'my.digitalSTROM'

- The dSS connects to the user's my.digitalSTROM account in the cloud.
- The digitalSTROM cloud provides an API that can be used by external apps, user interfaces or services.



Home API Outlook

my.digitalSTROM

The Home API will provide cloud-based access to the the whole digitalSTROM world. It will become the preferred API when providing cloud services.

- It enables apps and services to
 - Read dynamic system information
 - Read the system structure
 - Configure or control the system
- It provides user management
 - Each my.digitalSTROM account might consist of multiple user accounts having different access rights
 - Dedicated user account for installers, planners, building owners etc.
- Security through authorization
 - Apps and services will receive their unique token to access the home API
 - Access right for services will be limited to what they need to operate

The Home API is under development and will be introduced next year!

Features dS-Cloud 2.0

my.digitalSTROM

Besides providing the Home API, the dS-cloud comes with additional features:

- Billing capability: service and app providers can sell their product directly in the dS-Store
- Virtual system copy:
 - keep a copy of all relevant system data for fast access
 - enrich data with additional information (e.g. tags, OEM info)
- Keep statistics data: e.g. metering or temperature data
- Notifications: easy to use notification mechanism to send emails, tweets or push messages to the user
- Management of availability: monitor the connection and availability of devices

Example: Hail Service



The hail service

- Verifies whether the apartment location is within the hail warning area raised by a weather service
- Informs the user on the hail warning status
- Automatically protects the shades

Therefore, the service makes use of following features:

- Read apartment structure and configure hail group
- Read apartment location
- Read absent / present state
- Send push messages, tweets and emails
- Execute hail protection in the apartment
- Billing component to charge a yearly fee



Example: Smart Heating



Another potential service is a smart heating controller that optimizes the energy consumption:

- Read all the room temperatures
- Consider additional parameters such as outside temperature, wind, sun, weather forecast, building structure, duration of absence, time schedule etc. in order to...
- Control the heating system in a very efficient way

By accessing the Home API, the controller can benefit from all available actors and sensors. It's implementation concentrates on the smart, energy saving algorithm!

Example: Assisted Living



A security service might provide a panic / assistance button that calls for assistance:

- The button is automatically recognized and registered to the service due to the OEM configuration process.
- The running connection between the service and the button itself can be verified regularly (e.g. hourly).
If the connection fails, the service will raise a warning.
- If the user presses the button, the service provider gets notified immediately and will initiate the required actions.

Benefits for Developers and Partners



By using the Home API and digitalSTROM cloud features, partners will have numerous benefits:

- An easy to use but powerful API providing all digitalSTROM capabilities.
- Provide existing or new online services running on his own infrastructure.
 - Without limitation to the existing JS environment on the dSS
 - Protecting his personal IP
- Better maintainability and more flexible services compared to the dSS based solution.
- The built-in billing service allows partners to earn money based on one-time or repeated fees.

IP Device Integration

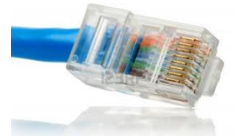


The world of IP devices is growing fast, and users are widely using IP devices.

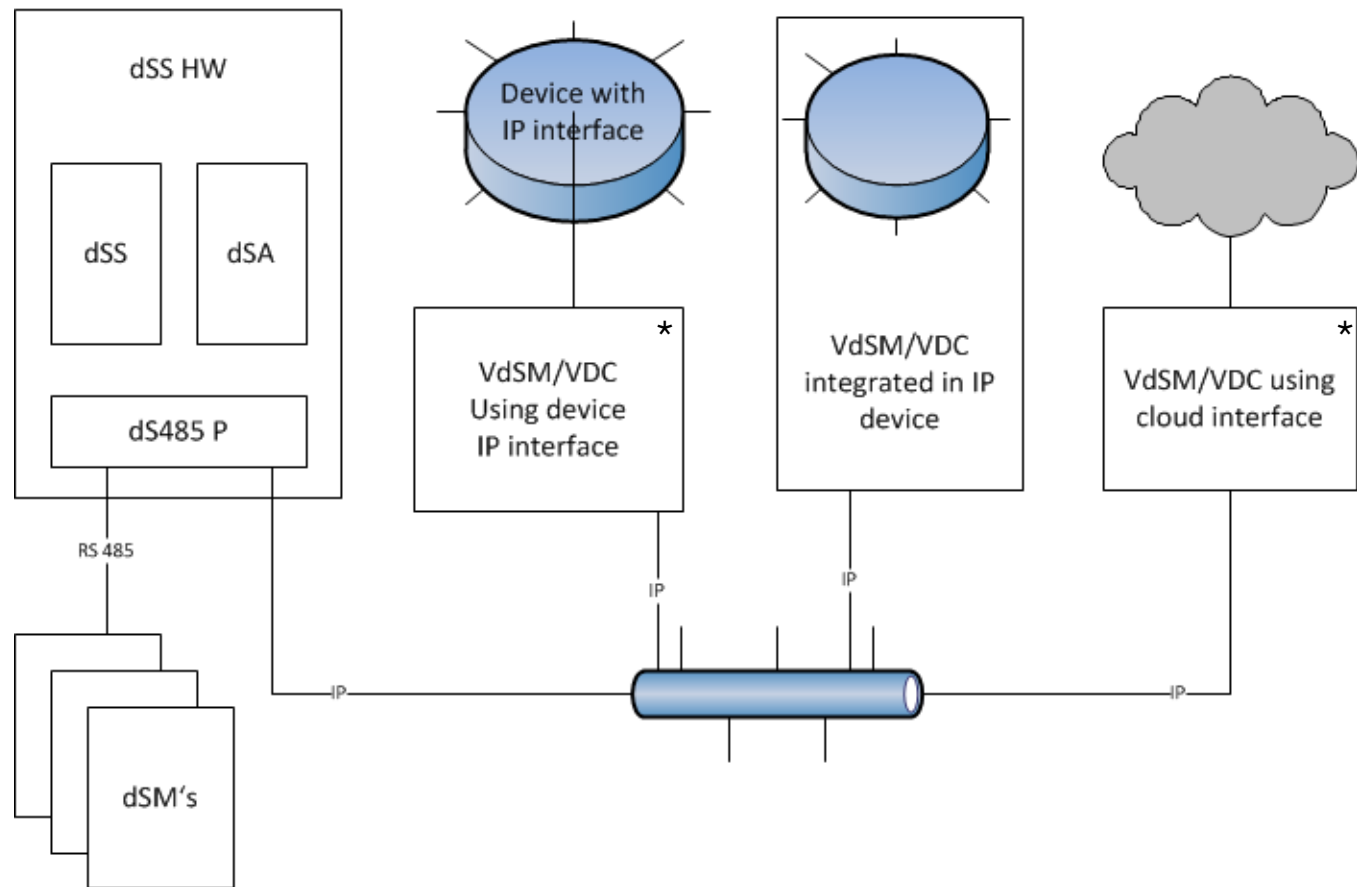
digitalSTROM will provide a platform to integrate such devices into one system!



Three Ways to Integrate IP Devices



Virtual dSM's and virtual device containers connect the devices to the digitalSTROM world.



* Running on dSS or external HW

Examples for IP Integration



- EnOcean sensors and actors get connect through a dedicated IP-EnOcean gateway.
The VdSM is running on the gateway.



- Philips Hue lights integrate through their IP-API
The VdSM is running on the dSS



- The Netatmo weather station comes with a cloud API and is integrated directly in the cloud.
The VdSM could run on the dSS.





Benefits of IP Integration

Benefits for developers and/or end-users:

- ‘Virtual’ devices integrate seamlessly into dS-Configurator, smartphone- and other apps:
 - Move devices from one room to the next
 - Control the device using the same configuration-dialogs
- IP devices follow the digitalSTROM room and apartment logic. They support the pre-defined standard behaviour of dS-devices
- Sensors trigger the very same action, regardless whether they’re dS- or IP based
- No or little extra effort needed on apps, UI’s and control logic if new models are integrated

Q & A



Thank You !