



3rd. Developer day

20/21 Sep, 2012

Agenda for the 21st September

Track/ Time	Smartphone	dS Apps	Hardware
9:00	Welcome note and creation of work groups		
9:30-12:00	Development	Development	Development
12:00-12:30	Light lunch to be served in Foyer		
12:30-17:00	Development	Development	Development
17:00-17:30	Presentation of results, ideas, prototypes		
17:30-19:00	Networking aperitif		

Welcome IoT members

Calling all entrepreneurs, designers, artists, students!

IOT/ZH

Internet of Things Zurich Meetup

Home Members Sponsors Photos Discussions More Join us!

IOT/
We're talking Urban infrastructure, smart grid, open hardware, quantified self, open data, environmental monitoring and more...

Zürich, Switzerland
Founded Oct 10, 2011

Members 194
Group reviews 4
Upcoming Meetups 3
Past Meetups 7
Our calendar

We're about:
Internet of Things · Sensors · Open Data · Open Infrastructure

Organizers:
Christine Perey,
Thomas Amberg

Contact us

Our Sponsors

PEREY
Research & Consulting

The Internet of Things is connecting us all. We should connect in person, in the real world, as well as digitally! This meetup group is for everyone who is interested in doing projects and publishing their data using IoT tools and platforms.

Join us
Join us and be the first to know when new Meetups are scheduled

Who do I know here?
Log in with Facebook to find out
By creating a Meetup account, you agree to the Terms of Service

Welcome!

JOIN AND SUGGEST A NEW MEETUP

Upcoming 3 Suggested 0 Past Calendar

IoT 4 Energy Hackathon

digitalSTROM
Brandstrasse 33, Schlieren-Zürich (map)

Fri Sep 21
9:00 AM

RSVP

10 attending
0 comments

This is a special full-day hacker-friendly event organized by local members of IoT Zurich. Please go to the microsite for more information about the hackathon: <http://...> [LEARN MORE](#)

Hosted by: Christine Perey (Organizer)

What's new

- NEW RSVP
miguel rodriguez
RSVPed Yes for IoT 4 Energy Hackathon
Yesterday at 8:39 PM
- NEW RSVP
Wolfgang Szabó
RSVPed Yes for IoT 4 Energy Hackathon
Yesterday at 4:42 PM
- NEW RSVP
Mark Malnykowycz
RSVPed Yes for Quantified Self and Citizen Sensing
Yesterday at 8:27 AM
- NEW RSVP
Amanilys
RSVPed Yes for Quantified Self and Citizen Sensing

Top 2 Tech Meetups this week Show me the Meetups

Process

1. Idea champions present their ideas in one slide, 3 minutes
2. Everybody selects a project to work on
3. Groups go to a workspace and start working
4. At 17:00 the teams will present their results
5. Finally, apero

Ideas

From community:

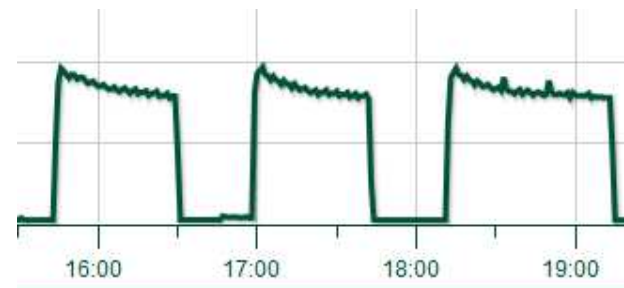
- **Integration from L&G meter data** into dSS:
- “Experimentation with my **openenergymonitor.org** Kit ” :
<http://openenergymonitor.org/emon/>
- **EnBW project**: Integrating „overload“ and „underload“ signals from energy provider into the dSS

From Aizo:

- **Visual Notifier**: It's an App you configure it to send digitalSTROM actions on special phone events.
- **The fridge monitor app**: Observe the power consumption of a circuit with an attached fridge/freezer, and monitor the power consumption to detect if the fridge seems to be turned off or disconnected.
- **Native (google)-Kalender integration** mit den TE,
- **Calculate the energy cost** for light per room/ scene by analyzing the power consumption and scene calls.

Fridge monitor app (Durrer)

- The famous fridge monitor app:
Observe the power consumption of a circuit with an attached fridge/freezer, and monitor the power consumption.
- If the fridge seems to be turned off or disconnected or the power circuit including dSM are switched off, the app should be able to take actions like
 - sending an email or
 - switching on a light.

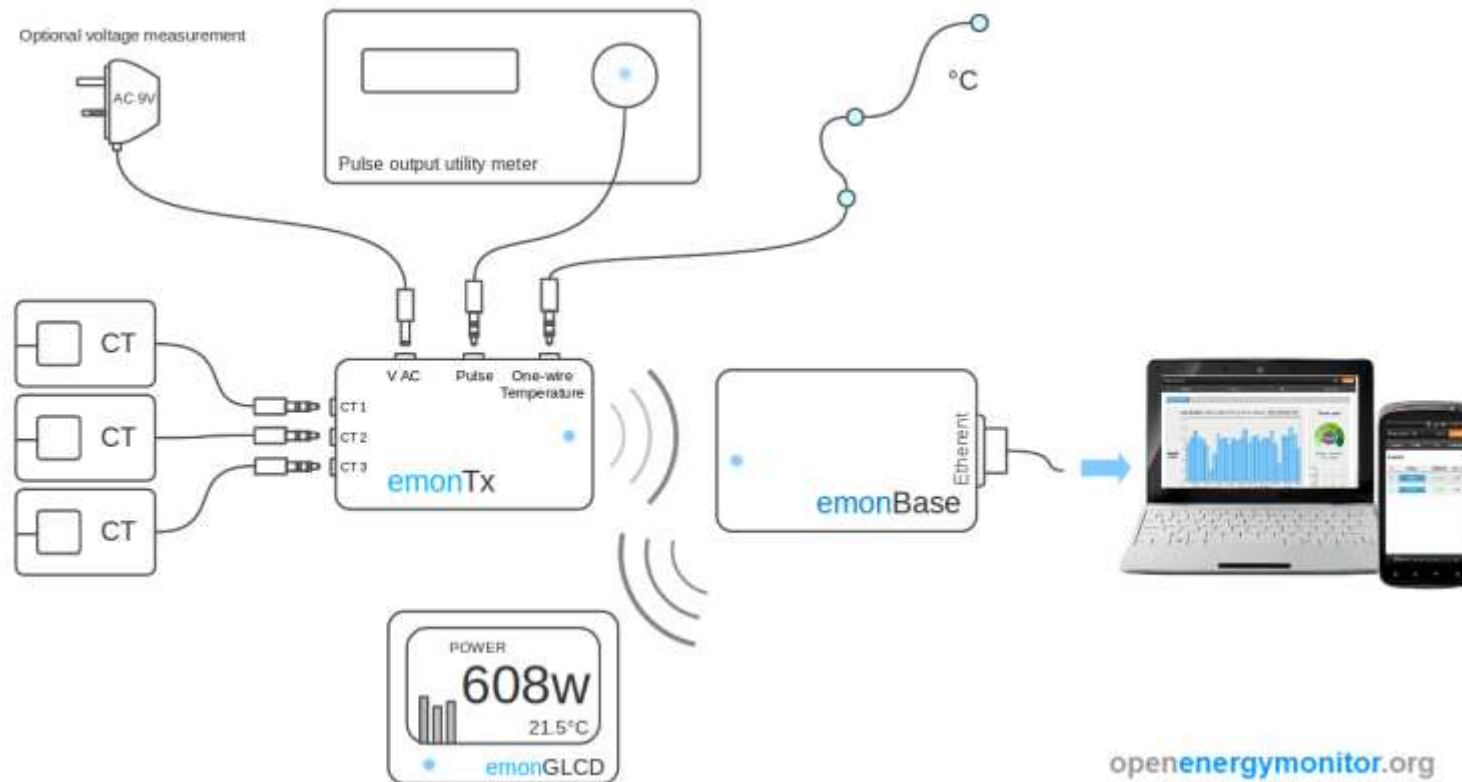


L&G meter integration (Meile)

- Integration from L&G meter data into dSS:
- Read the metering data from an L&G meter over RS485/RS232/Ethernet and integrate it with our metering display graph.
- We will use an L&G meter and an adaptor.
- We will need to get the data over an USB to RS232/RS485/Ethernet adaptor and work in an App

openenergymonitor.org (Leutwyler)

“Experimentation with my openenergymonitor.org Kit ” Look for more info under: <http://openenergymonitor.org/emon/>



Visual Notifier (Hansen L.)

- It's an App you configure it to send digitalSTROM actions on special phone events.
- Main audience for the app would be hearing impaired people or people who like to listen to loud music

Example:

- All your lights blink when you receive a text message.
- A timer tool, that let's you for example set a 45 min timer for your roast, which then blinks the lights in your apartment when the 45 min is up.

Load balancing (Hansen B.)

- Integrating „overload“ and „underload“ signals from energy provider into the dSS, with the goal of turning devices on/off if required.
- Includes interfacing over USB with a receiver of signals from the energy provider.

Native (google)-Kalender integration mit den TE (Köhler)

Mail Calendar Documents Photos Groups Web more ▾ | [New Features!](#) | [Settings](#) | [Help](#) | [Sign out](#)

Google Calendar BETA

Search My Calendars Search Public Events New! [Show Search Options](#)

Create Event

Quick Add

May 2007

S	M	T	W	T	F	S
22	23	24	25	26	27	28
29	30	1	2	3	4	5
6	7	8	9	10	11	12
13	14	15	16	17	18	19
20	21	22	23	24	25	26
27	28	29	30	31	1	2
3	4	5	6	7	8	9

Calendars

My Calendars +

- Work Calendar
- Home Calendar

Other Calendars +

- John Mather
- Portland, OR Weather

Search public calendars

[Manage calendars](#)

Today May 20 - 26 2007

Day Week Month Next 4 Days Agenda

Sun 5/20	Mon 5/21	Tue 5/22	Wed 5/23	Thu 5/24	Fri 5/25	Sat 5/26
Chance of Rain 6	Partly Cloudy 64	Partly Cloudy 74	Partly Cloudy 73	Partly Cloudy 73		
	9:00am Weekly staff meeting					
		11:00am Follow up	10:00am NHA conference @ 136 Everett St.			
				12:00pm Presentation	12:30pm Lunch meeting	
		1:00pm Presentation		1:30pm Interviews		
	2:00pm Follow up					
			4:00pm Johnie's soccer practice			

Hardware integration (Debus)

- : Several of our Hardware engineers will be on site to help you with any hardware integration you might want to do. Hardware is available.

